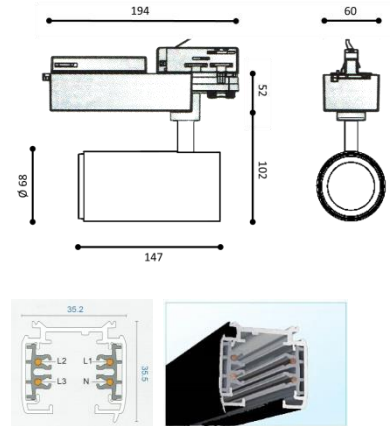


McD Ray Design "Track Light" L03

Order Code: **860323183 (Spot)**
864020000 (Track)



Features

3-Phase Track adjustable Downlight with LED lamp, complete with SELV driver ready to install:

- Simple Track fixing
- Energy saving
- Low operating temperature
- Long lifetime LED
- Full intensity from switch on
- Driver with S.E.L.V. output
- Safe Class I luminaire
- IBL 3 Year warranty on fittings, drivers and IBL-LED Module

Technical data

Dimensions: Height 147 mm
 Width: Ø 64 mm

Weight: ca. 0,75 kg incl. driver

Material: Diecast aluminium

Ambient Temp. : $t_a = -30 \dots 50^\circ\text{C}$

Max. surface: 85°C

Colours: Black

Electrical Data

LED DRIVER:

Type constant current
 Input voltage 220/240Vac 50/60Hz
 Input current max. 0,08A
 cos phi $>0,5$

Electrical safety Class II

Output isolation S.E.L.V.
 Output Current: 700 mA dc
 Output Voltage : max. 29 V dc

LUMINAIRE:

Electrical safety Class I

LEDs:

Power: $7W_{(nom.)}@700\text{ mA}$
 Warm White 2875-3200K

WARNING

Do NOT switch using TRIAC-based (transistor, thyristor) circuits. Damage to driver inevitable

LED specification

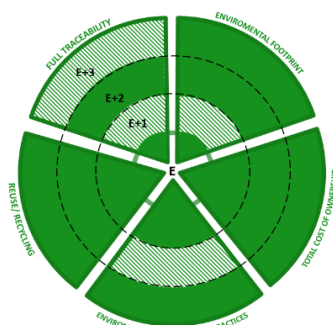
IBL Gen⁴ LED lighting unit with CREE XLamp® MHD-E LEDs

Color Temperature CCT: 2 875-3 200 K
 Light Output: approx. 650 lm per LED

CRI: ≥ 80
 L70 Lifetime: 30 000 h



ECO-Dashboard



Contact details

IBL lighting GmbH
 Christenstr. 11
 D-40880 Ratingen
 Tel: +49-2102- 94 20 66 0
 Fax: +49-2102- 94 20 66 6
 web: www.ibl.eu
 email: info@ibl.eu